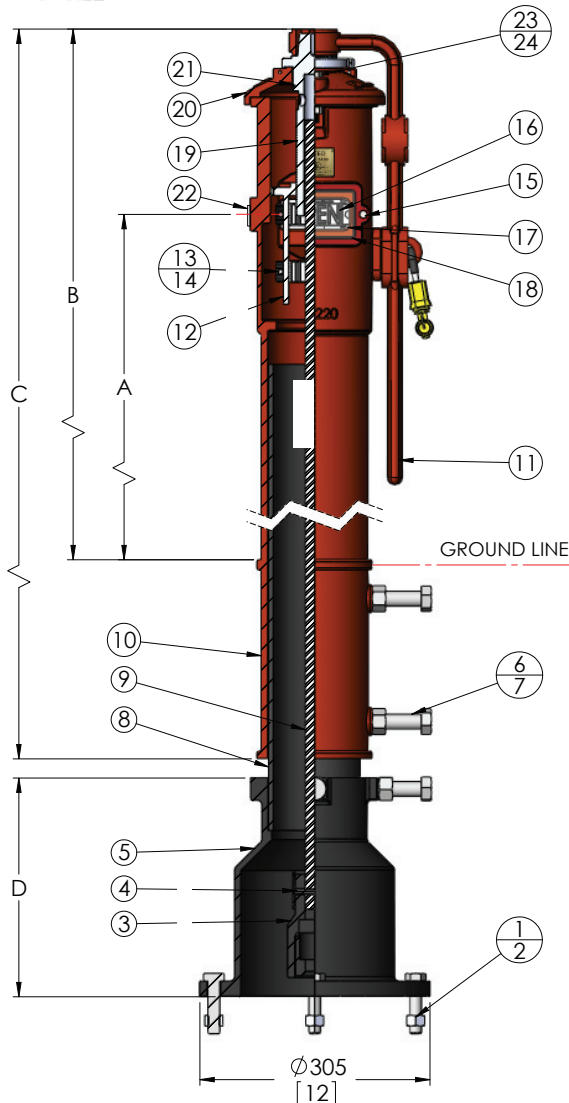


# Model 5400 Adjustable Vertical Indicator Post



Model 5400 for use with valve sizes 3"~16"  
(UL Listed - 4"~12"/ FM Approved - 4"~14")  
All UL/FM Ground Indicator Posts are adjustable for any valve  
bury depth up to 15 feet (to middle of trench)



## MATERIAL LIST

No.	Part No.	Description	ASTM Spec.
1	P0154-000	Hex Cap Screw	Carbon Steel ASTM A307B
2	P0254-000	Nut	Carbon Steel ASTM A307B
3	P0354-000	Crane Coupling	Ductile Iron ASTM A536 Gr. 65-45-12
4	P0454-000	Cotter Pin	Stainless Steel AISI 302
5	P0554-000	Base Flange	Cast Iron ASTM A126 Class B
6	P0654-000	Hex Nut	Carbon Steel ASTM A307B
7	P0754-000	Hex Cap Screw	Carbon Steel ASTM A307B
8	P0854-058	Standpipe	Carbon Steel ASTM A53
9	P0954-054A	Upper Stem	Carbon Steel AISI 1045
	P0954-054B	Lower Stem	
10	P1054-000	Body	Cast Iron ASTM A126 Class B
11	P1154-000	Locking Wrench	Ductile Iron ASTM A536 Gr. 65-45-12
12	P1254-000	Target Carrier Nut	Stainless Steel AISI 304
13	P1354-000	Hex Cap Screw	Carbon Steel ASTM A307B
14	P1454-000	Hex Nut	Carbon Steel ASTM A307B
15	P1554-000	Hex Cap Screw	Carbon Steel ASTM A307B
16	P1654-000	Target	Cast Aluminum
17	P1754-000	Window Glass	Plexiglass
18	P1854-000	Gasket	PTFE
19	P1954-000	Operating Nut	Stainless Steel AISI 304
20	P2054-000	Top Section	Cast Iron ASTM A126 Class B
21	P2154-000	Snap Ring	Stainless Steel AISI 1066
22	P2254-000	Plug	Malleable Iron
23	P2354-000	Square Nut	Carbon Steel ASTM A307B
24	P2454-000	Hex Cap Screw	Carbon Steel ASTM A307B

## DIMENSIONS

Valve Size	Model No.	A	B	C	D
3"~16"	5400	762 (30")	1000 (39.4")	1266 (50.9")	284 (11.2")

Design and materials are subject to change without notice.



**WARNING:** This product can expose you to chemicals including lead, which is known to the State of California to cause cancer and birth defects or other reproductive harm. For more information go to [www.P65Warnings.ca.gov](http://www.P65Warnings.ca.gov).

## Field Adjustment:

1. Remove the top section from the top of the Indicator Post assembly.
2. Cut the required stem length and adjust the Standpipe to match up the ground line.
3. Set the "OPEN" and "SHUT" targets for the appropriate valve size.
4. Reattach the top section to the top of the Indicator Post assembly.



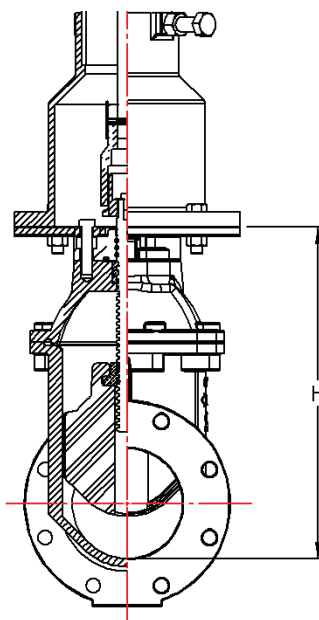
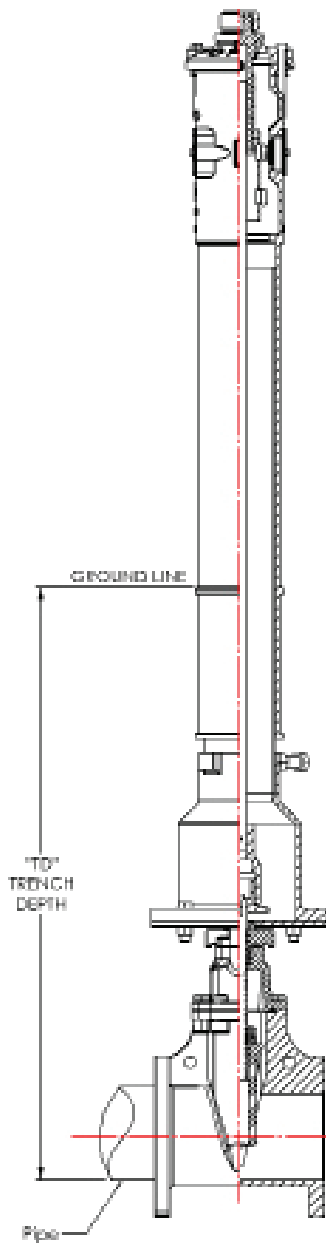
**United Water Products**  
8710 Air Park West Drive, Charlotte, NC 28214  
TEL. 401-250-3800

Website: [www.unitedwaterproducts.com](http://www.unitedwaterproducts.com)

# Nominal Installation Dimensions for Model 5400 Vertical Indicator Post



Model 5400 for use with valve sizes 4"~12" (UL Listed - 4"~12"/ FM Approved - 4"~14")  
 All UL/FM Ground Indicator Posts are adjustable for any valve bury depth up to 15 feet (to middle of trench)



United Model 2010-PIV  
 NRS Gate Valve

Valve Size	H
3"	9"
4"	1'-0"
6"	1'-5"
8"	1'-9"
10"	2'-2"
12"	2'-6"
14"	2'-8"
16"	3'-0"

Valve Size	Trench Depth Range (TD)		Trench Depth Range (TD)		Trench Depth Range (TD)		Trench Depth Range (TD)		Trench Depth Range (TD)		Trench Depth Range (TD)	
	A		B		C		D		E		F	
	Min.	Max.	Min.	Max.	Min.	Max.	Min.	Max.	Min.	Max.	Min.	Max.
3"	2'-7"	4'-8"	4'-3"	6'-4"	6'-0"	8'-1"	7'-7"	9'-8"	9'-6"	11'-7"	11'-1"	13'-2"
4"	2'-10"	4'-11"	4'-6"	6'-7"	6'-3"	8'-4"	8'-0"	10'-1"	9'-9"	11'-10"	11'-4"	13'-5"
6"	3'-2"	5'-3"	4'-11"	7'-1"	6'-9"	8'-10"	8'-6"	10'-7"	10'-3"	12'-4"	12'-0"	14'-1"
8"	3'-7"	5'-8"	5'-3"	7'-4"	7'-0"	9'-1"	8'-9"	10'-10"	10'-6"	12'-7"	12'-3"	14'-4"
10"	4'-0"	6'-1"	5'-8"	7'-9"	7'-5"	9'-6"	9'-2"	11'-3"	10'-11"	13'-0"	12'-8"	14'-9"
12"	4'-4"	6'-5"	6'-0"	8'-1"	7'-9"	9'-10"	9'-6"	11'-7"	11'-3"	13'-4"	13'-0"	15'-1"
14"	4'-6"	6'-7"	6'-2"	8'-3"	7'-11"	10'-0"	9'-8"	11'-9"	11'-5"	13'-6"	13'-2"	15'-3"
16"	4'-10"	6'-11"	6'-6"	8'-7"	8'-3"	10'-4"	10'-0"	12'-1"	11'-9"	13'-10"	13'-6"	15'-7"